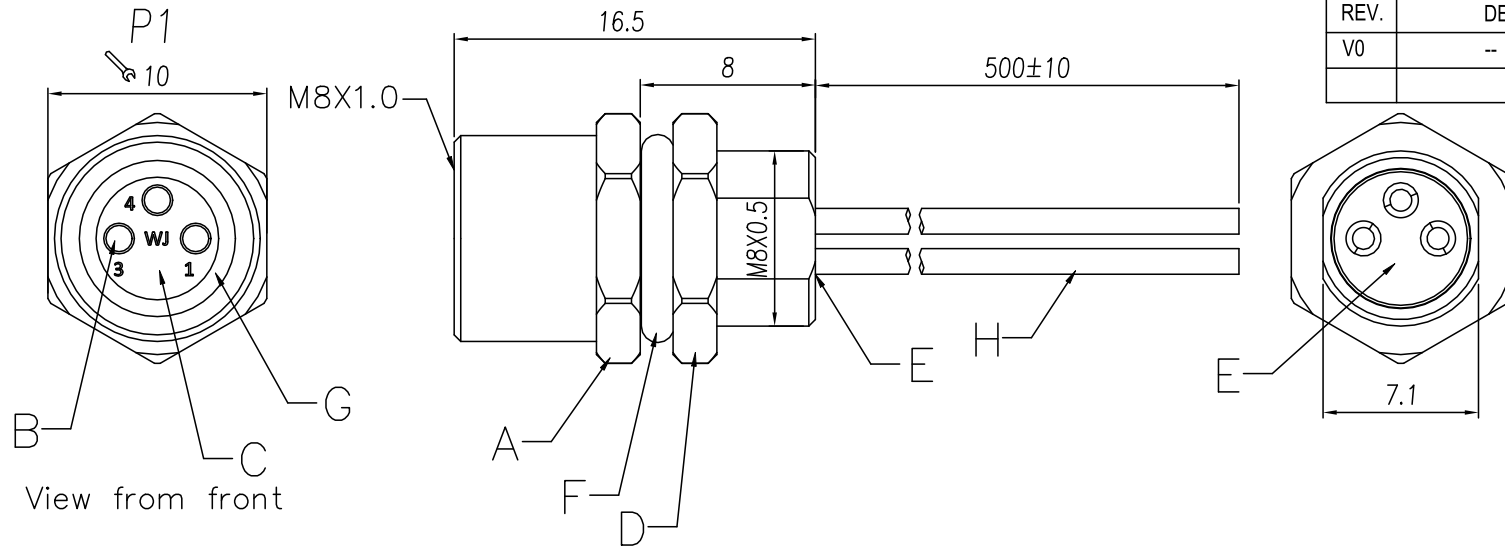


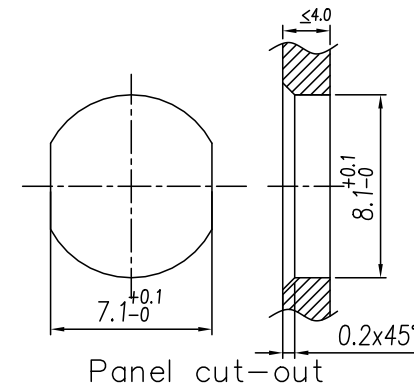
REVISION RECORD

REV.	DESCRIPTION	ECN No.	APPROVED	DATE
V0	--			2020.11.18

IEC 技术参数 IEC Technical Data		IEC61076-2-104
工作温度 Operating temperatur [°C]		-25~+80
防护等级 IP Class (IN Locked condition)		IP67
额定电压 Rated Voltage [V]		///
额定电流 Rated Current [A]		///
导线截面积 Conductor cross section 硬质/柔性导线 Solid/ flexible [mm²]		///
接线范围 Wire Range 单/多芯线 Solid/Stranded [AWG]		///
材料 Material		
绝缘材料 Insulation Material		PA 66
阻燃等级 Imflamability		UL94V-0
导体材料 Contactor Material		铜合金 Copper alloy
导体镀层 Contactive Coating		镀金 Gold Plated
螺母/螺丝 Connector Nut/Screw		黄铜镀镍 Brass With Nickel Plated
符合RoHS环保要求		



Contacts Pin 数	3Pin	4Pin	5Pin	6Pin	8Pin
Coding 编码	 A-Coding	 A-Coding	 B-Coding	 A-Coding	 A-Coding
Rated Current 额定电流	3A	3A	3A	1.5A	1.5A
Rated Voltage 额定电压	60V	60V	30V	30V	30V
Wire Range 线范围	24AWG	24AWG	24AWG	26AWG	26AWG
PART NO.品名(0.5M):	M08-A03-ST0-F02-BH2-050	M08-A04-ST0-F02-BH2-050	M08-B05-ST0-F02-BH2-050	M08-A06-ST0-F02-BH2-050	M08-A08-ST0-F02-BH2-050
Customized.定制化:



H	WIRE	WIRE: UL1061 L=505mm		X	
G	O-Ring	O-Ring FKM Orange	pcs	1	
F	O-Ring	O-Ring FKM Black	pcs	1	
E	Resin	Black epoxy resin for sealing	g	1	
D	Nut	Nut:M8X0.5,Brass With Nickel Plated	pcs	1	
C	Housing	Housing Female,Black PA66	pcs	1	
B	Terminal	Female Terminal ,Brass With Gold Plated	pcs	X	
A	Screw	Screw M8X1.0,Brass With Nickel Plated	pcs	1	
编号 No.	料号 Materials.No	品名 Name	材料规格 Description	单位 Unit	用量 Qty

慈溪市万捷电子有限公司 CIXI WANJIE ELECTRONIC CO., LTD						PART NO.: M08-A0XP-ST0-F02-BH2-XXX	
NO SPECIFIED TOLERANCE			Cus' P/N:	Order No.:	---	Drawing No.:	SP-02-M000XX
LINEAR	0.5-6	±0.1	DES.	Jun	DATE	UNITS	mm
	6-30	±0.2	CHK.		DATE	SIZE	A4
	>30	±2%	APP.		DATE	SCALE	X:X
ANGLES	±1°						文件等级:外部公开
						THIRD ANGLE PROJECTION	PAGE
							1 of 2

REVISION RECORD				
REV.	DESCRIPTION	ECN No.	APPROVED	DATE
V0	--	/		2021.08.18

3Pin

P1	Wirelist
1	_____ brown _____
3	_____ blue _____
4	_____ black _____

4Pin

P1	Wirelist
1	_____ brown _____
2	_____ white _____
3	_____ blue _____
4	_____ black _____

5Pin

P1	Wirelist
1	_____ brown _____
2	_____ white _____
3	_____ blue _____
4	_____ black _____
5	_____ grey _____

8Pin

P1	Wirelist
1	_____ white _____
2	_____ brown _____
3	_____ green _____
4	_____ yellow _____
5	_____ grey _____
6	_____ pink _____
7	_____ blue _____
8	_____ red _____

6Pin

P1	Wirelist
1	_____ brown _____
2	_____ white _____
3	_____ blue _____
4	_____ black _____
5	_____ grey _____
6	_____ pink _____

 慈溪市万捷电子有限公司 CIXI WANJIE ELECTRONIC CO., LTD		PART NO.:		M08-AXXP-ST0-F02-BH2-XXX	
		Cus' P/N:		Order No: ---	
NO SPECIFIED TOLERANCE		DES.		DATE	
LINEAR	0.5-6	±0.1	CHK.	DATE	UNITS mm
	6-30	±0.2			
	>30	±2%			
ANGLES		APP.		DATE	
				SCALE X:X	
				Drawing No.: SP-02-M000XX	
				THIRD ANGLE PROJECTION	
				PAGE 2 of 2	
				文件等级: 外部公开	